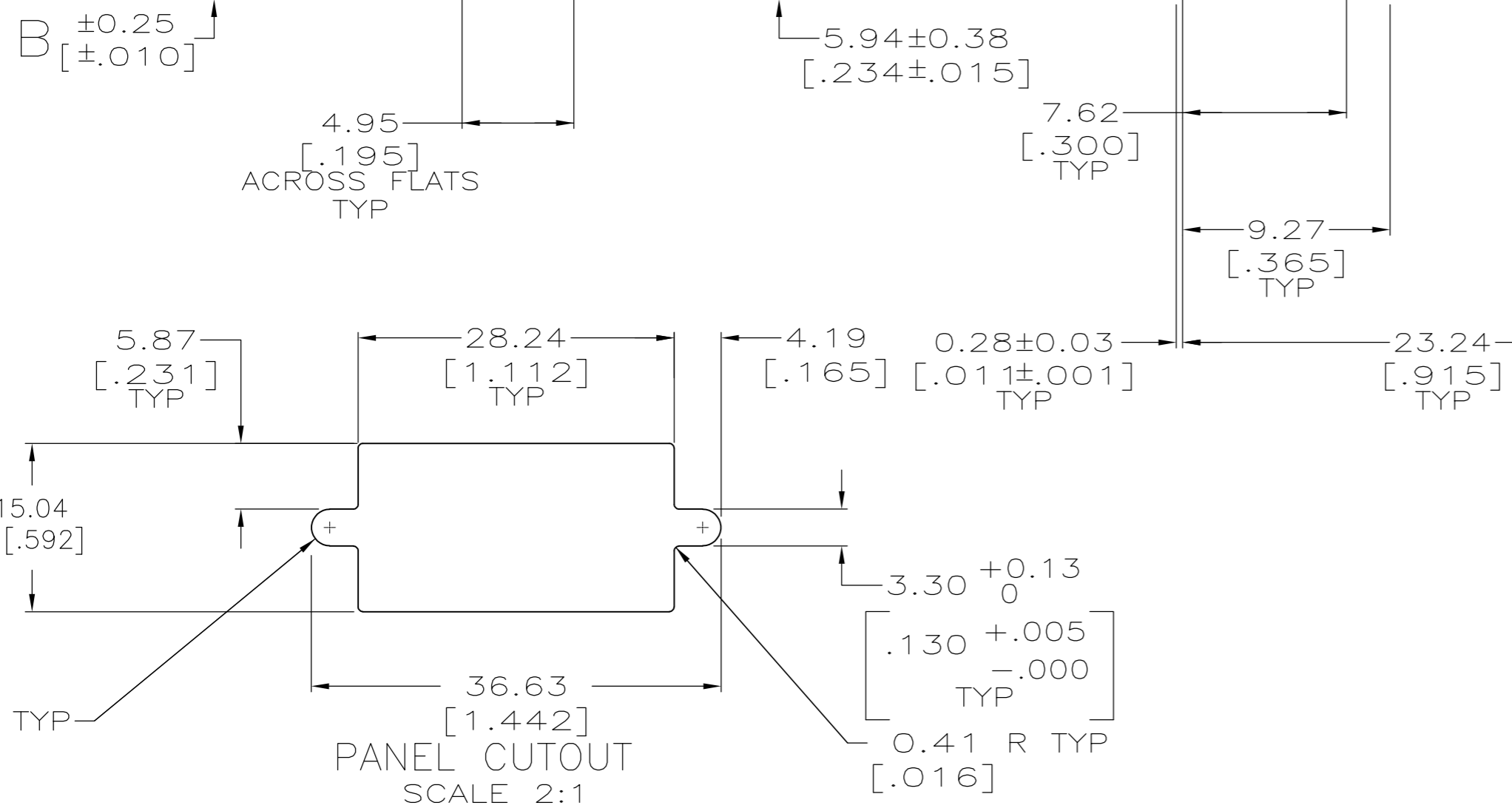
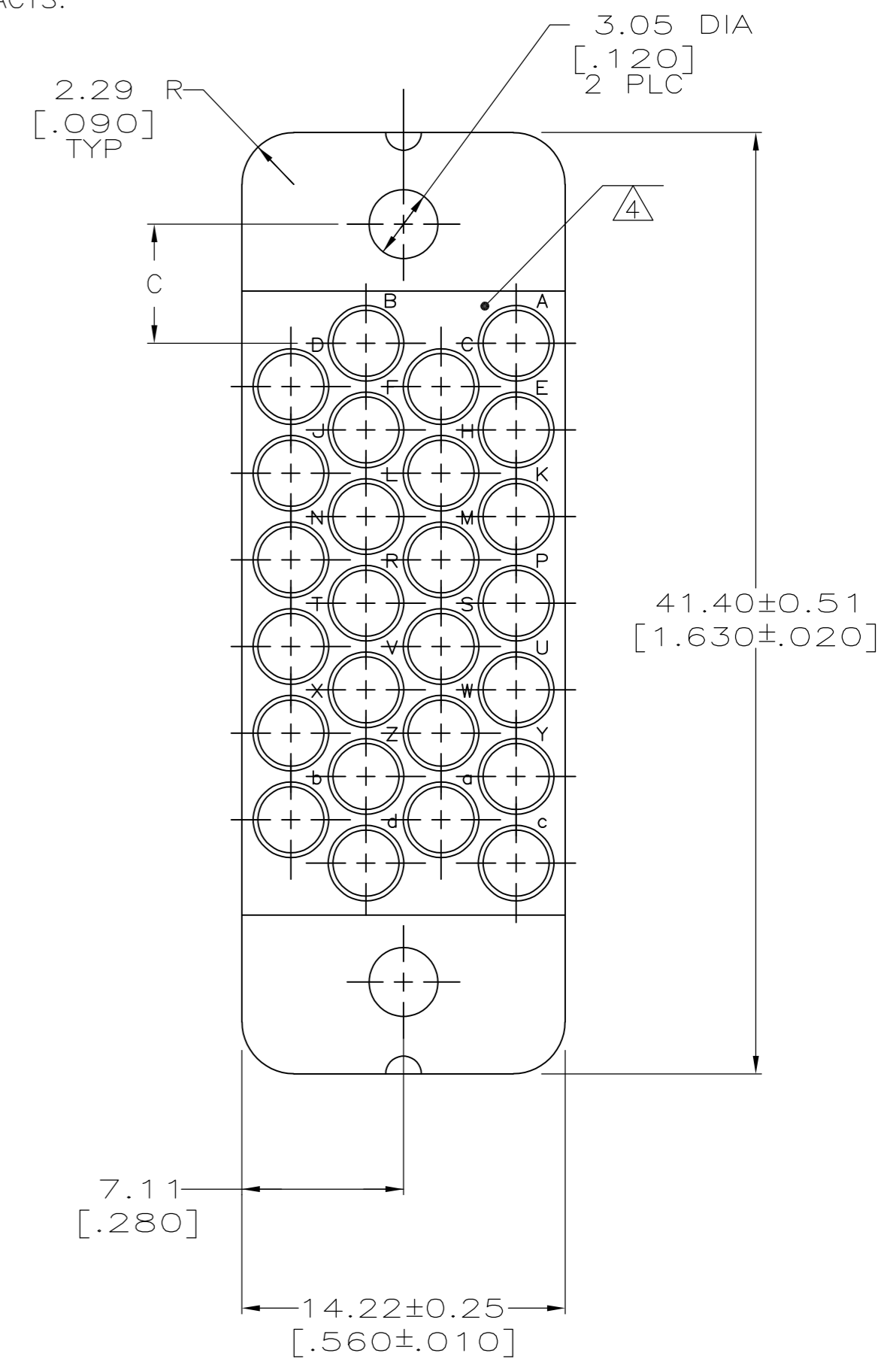
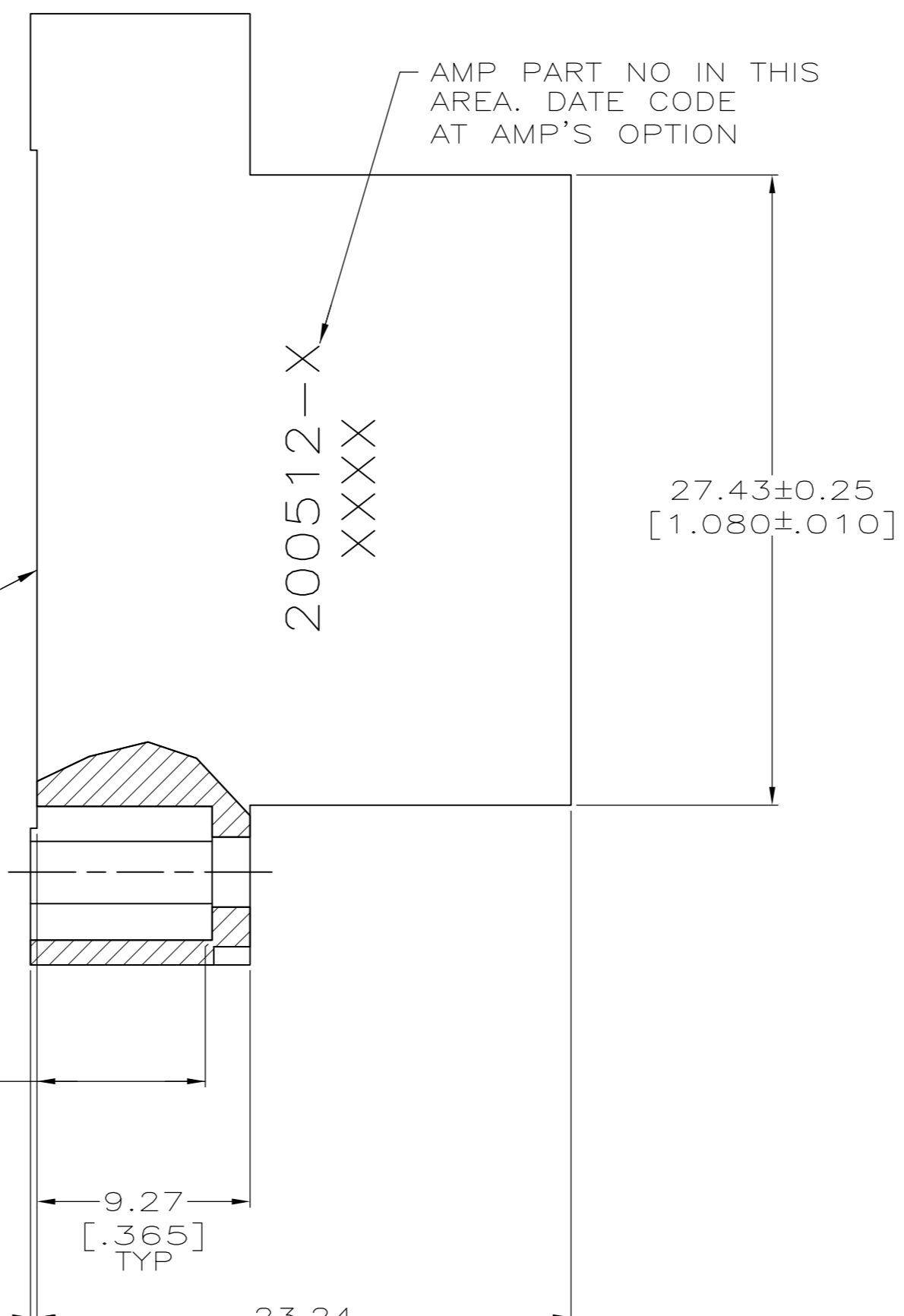
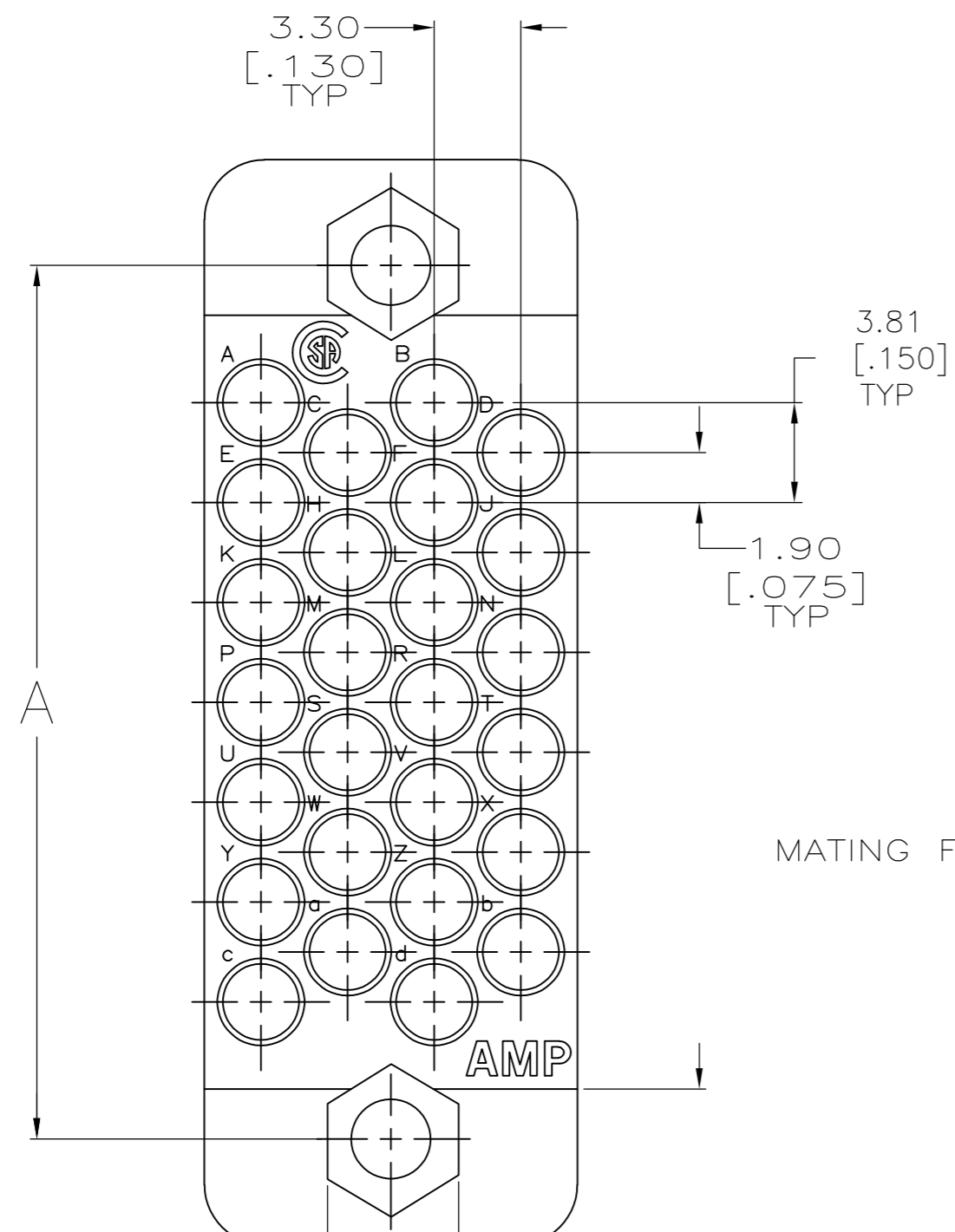


THIS DRAWING IS UNPUBLISHED. RELEASED FOR PUBLICATION
 © COPYRIGHT BY TYCO ELECTRONICS CORPORATION. ALL RIGHTS RESERVED.

LOC		DIST		REVISIONS			
P	LTR	DESCRIPTION		DATE	DWN	APVD	
FT	0	AE	REVISED PER ECO-07-025670		10/31/07	SS	GS

- 1 PHENOLIC PER MIL-M-14, TYPE CFG, BLACK.
- 2 DIALLYL PHTHALATE PER MIL-M-14, TYPE SDG-F, BLUE.
- 3. WHEN MATING WITH BLOCK 201359, ACCOMODATES TYPE II, TYPE III+ OR TYPE VI #16 PIN OR SOCKET CONTACTS.
- 4 DOT NEAR POSITION "A".



5.36 [.211]	3.91 [.154]	33.58 [1.322]	2	200512-7
5.36 [.211]	3.91 [.154]	33.58 [1.322]	2	200512-3
5.23 [.206]	4.04 [.159]	33.32 [1.312]	1	200512-2
C	B	A	MATERIAL	PART NUMBER

THIS DRAWING IS A CONTROLLED DOCUMENT.

DWN	C.REIFSNYDER	07 DEC 95
CHK	R.STONE	28 FEB 96
APVD	G.A.STEINHAUER	15 MAR 96
PRODUCT SPEC	NAME	
APPLICATION SPEC	BLOCK, FEMALE, 26 PLACE, MINIATURE RECTANGULAR, M SERIES	
MATERIAL	SEE TABLE	FINISH
WEIGHT	.024 LB APPROX	A2
CUSTOMER DRAWING	SCALE	4:1

Tyco Electronics Corporation
Harrisburg, PA 17105-3608

SIZE: CAGE CODE: DRAWING NO: RESTRICTED TO: 00779 C=200512

SHEET 1 OF 1 REV AE